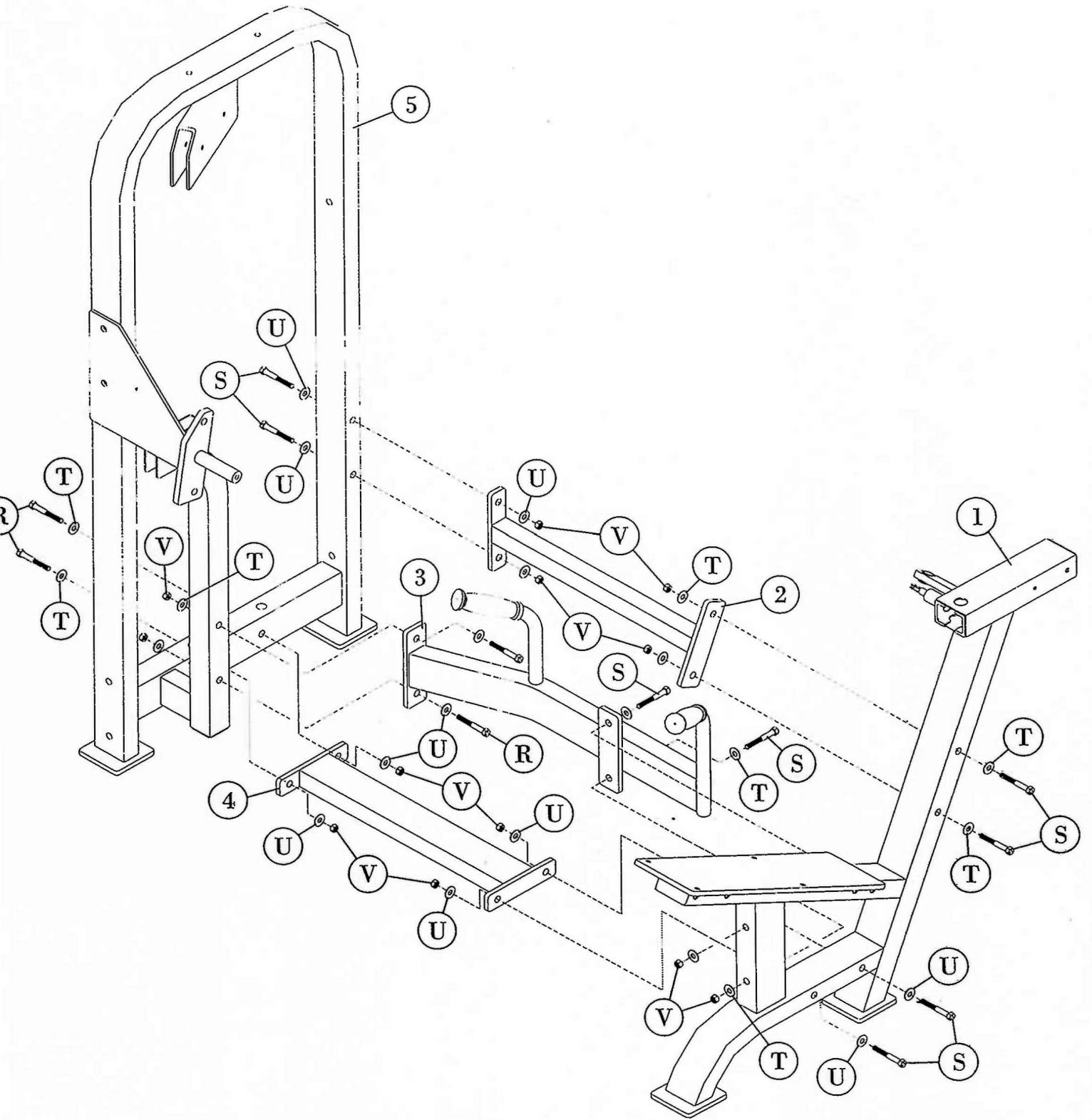
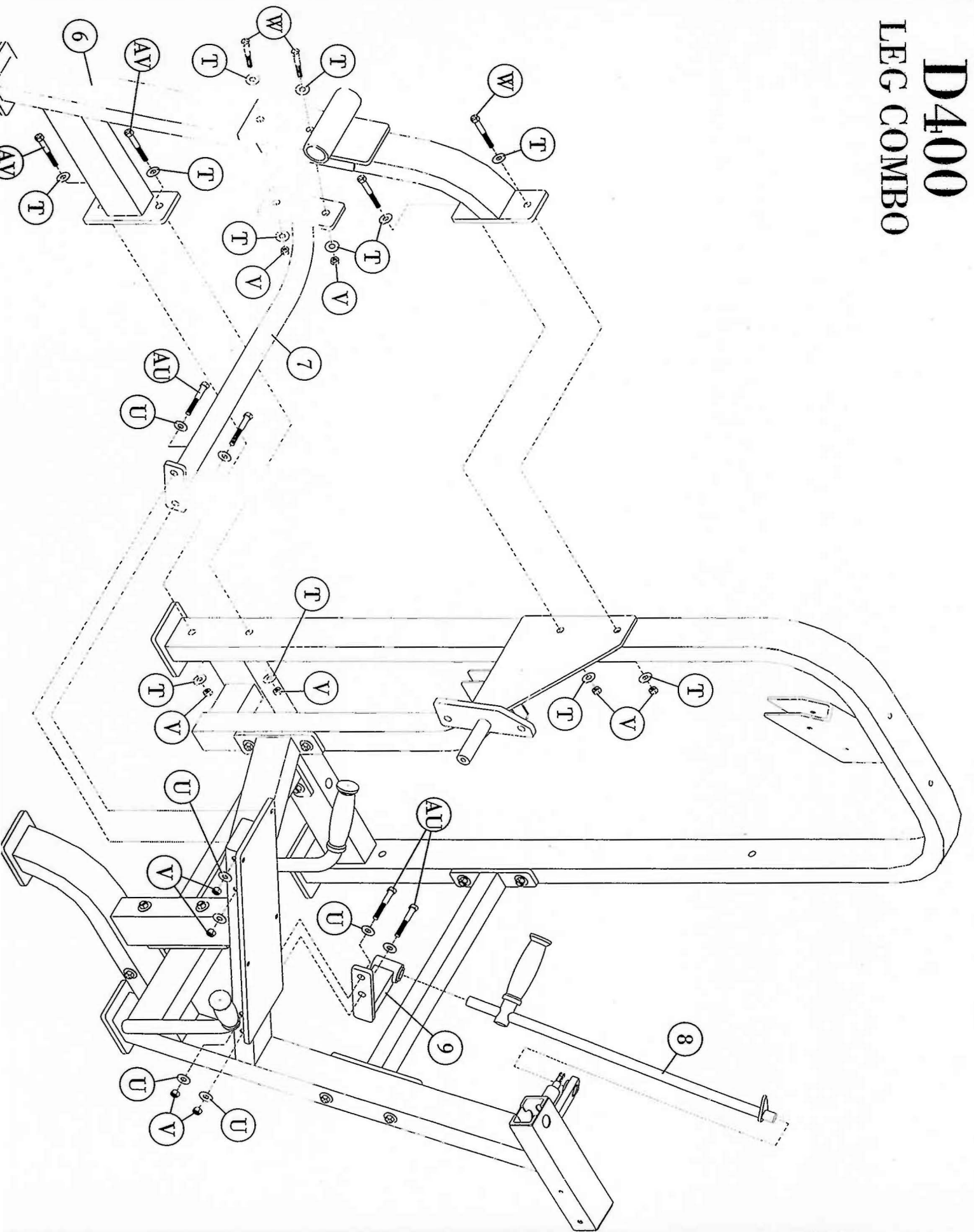


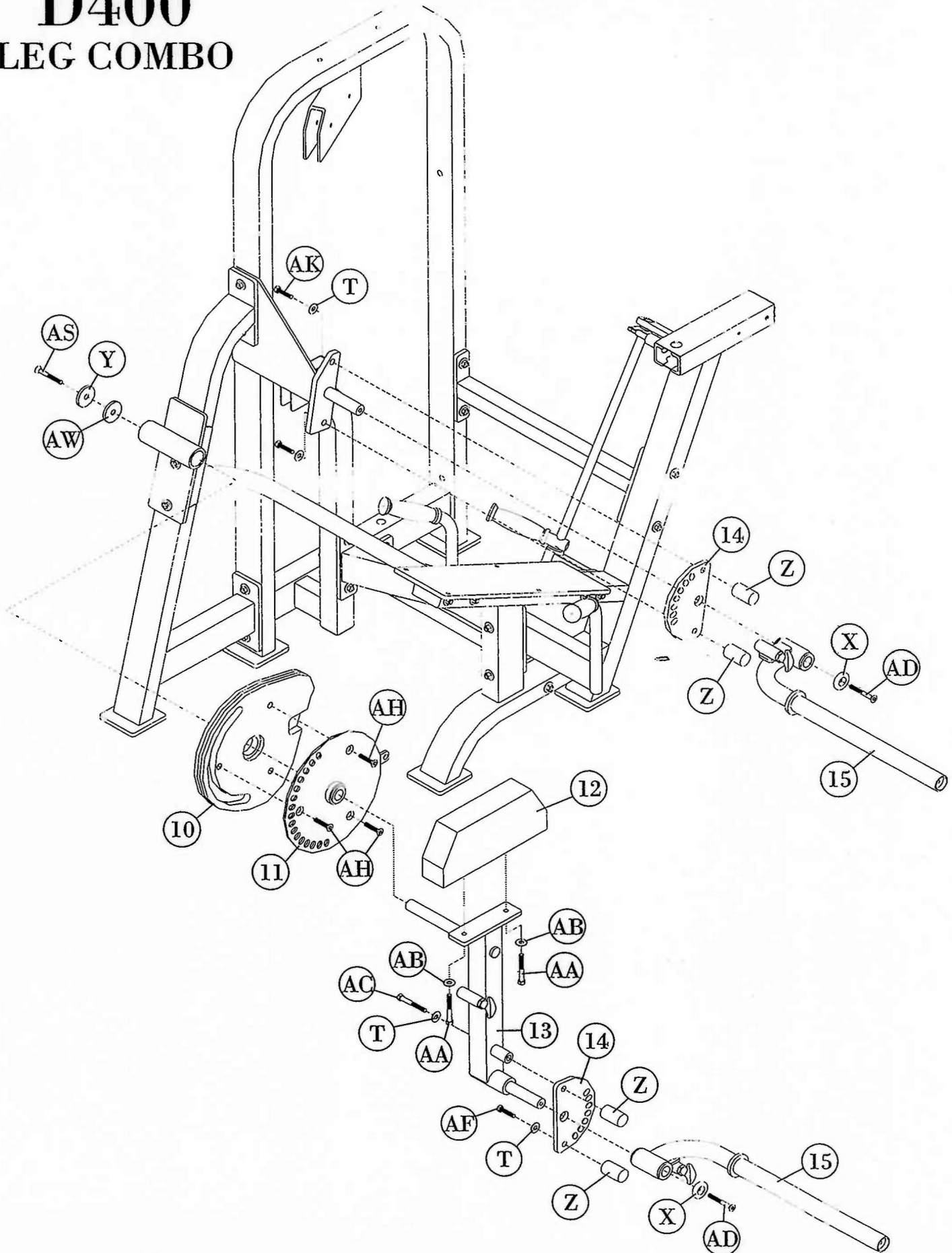
D400 LEG COMBO



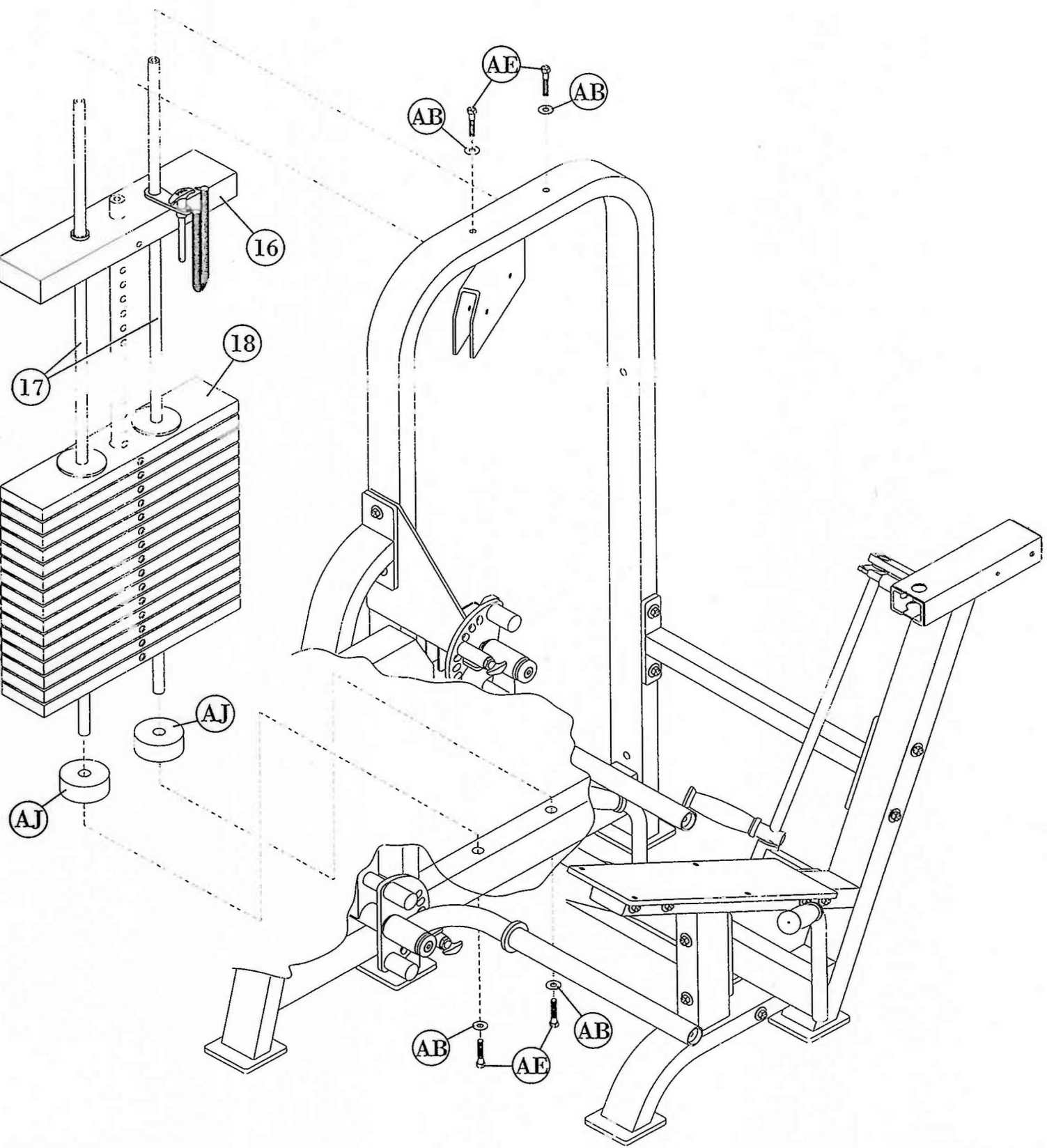
D400 LEG COMBO



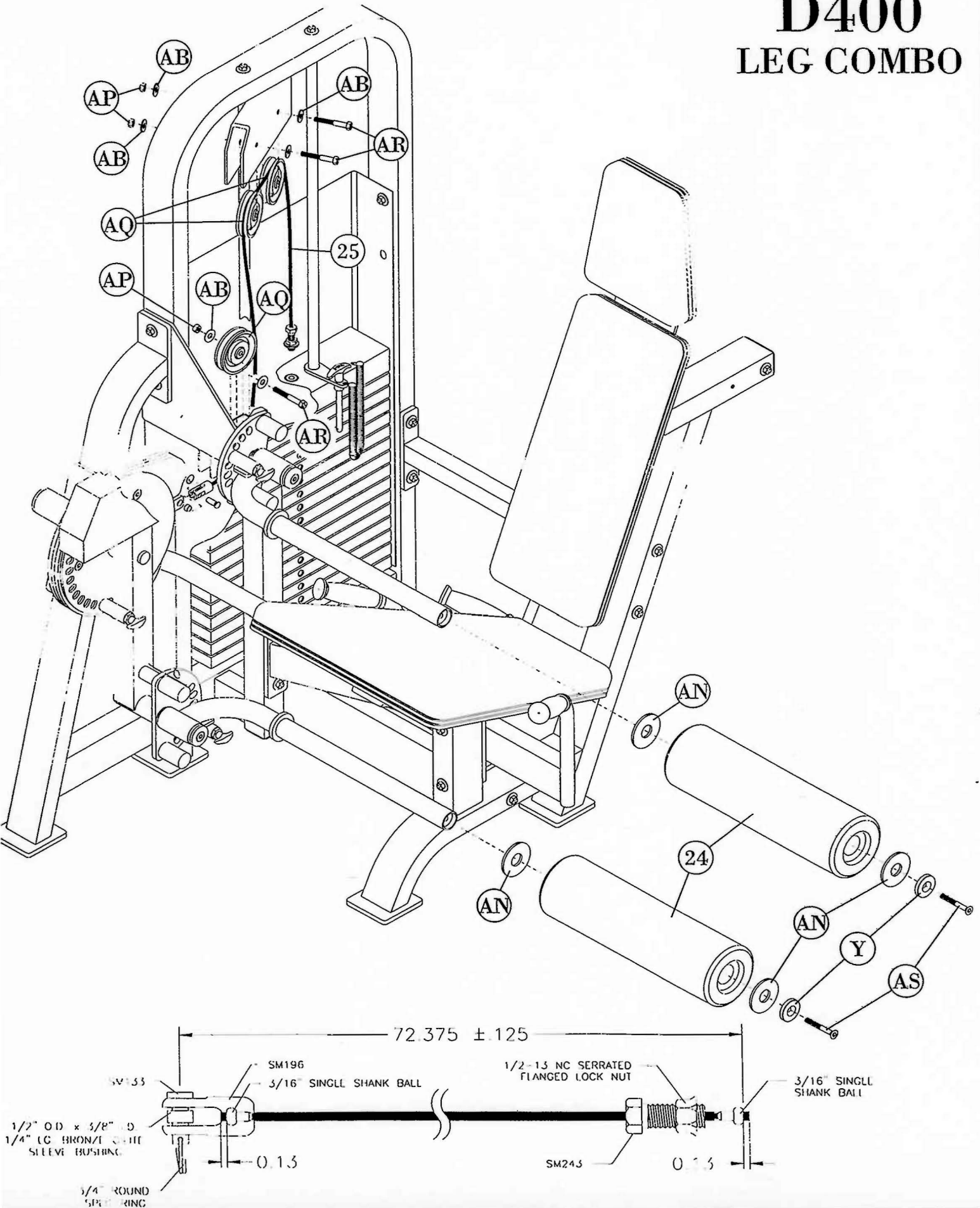
D400 LEG COMBO



D400 LEG COMBO



D400 LEG COMBO



D400

PARTS LIST

Key No.	Qty.	Part Number	Description
1	1	35-SUB-D400-01	Seat Assembly
2	1	35-SUB-D400-05	Seat Assembly Rear Stabilizer
3	1	35-SUB-D400-03	Handle/Crossmember Assembly
4	1	35-SUB-D400-10	Lower Crossmember
5	1	35-SUB-D400-06	Weight Cage Assembly
6	1	35-SUB-D400-07	Pivot Mount
7	1	35-SUB-D400-02	Seat Front Crossmember
8	1	35-SUB-D400-12	Remote Pull Pin Handle Assembly
9	1	35-SUB-D400-13	Remote Pull Pin Handle Assembly Pivot
10	1	26-STD-SA106	Cam
11	1	35-SUB-D400-11	Cam Adjust Plate
12	1	26-STD-SP231	40 Lb. Counterweight
13	1	35-SUB-D400-08	Arm Assembly
14	2	26-STD-SA108	Range Adjust Plate
15	2	35-SUB-D400-09	Adjustable Roller Assembly
16	1	26-STD-SWTOP8	Top Plate with Stem
17	2	26-STD-SG114	53 5/8" Guide Rod
18	15	26-STD-SW104	20 Lb. Intermediate Weight Plate
19	1	26-STD-SSH147	Weight Stack Shield <i>10-STD-5X159</i>
20	1	35-SUB-D400-04	Back Pad Adjust
21	1	26-STD-SU1011T	10" x 11" Tapered Head Rest Pad
22	1	10-STD-SU1023OS	10" x 23 1/4" Back Pad
23	1	10-STD-SU1925	19" x 25" Seat Pad
24	2	10-STD-SUR517	5" x 17" Roller Pad
25	1	26-STD-SC151	72 3/8" Cable
26	1	20-GSP-Y2510	Gas Spring

HARDWARE LIST

Key No.	Qty.	Part Number	Description
A	2	14-BRG-MR16N	MR16N Bearing
B	2	14-OIL-34F	3/4" Oilite
C	4	14-OIL-1F	1" Oilite
D	2	14-TUR-1	1" Turcite
E	1	16-CAP-22	2" x 2" End Cap
F	1	16-CAP-23	2" x 3" End Cap
G	3	19-GRP-78COMFORT	Comfort Grip
H	3	26-STD-SM128	1/2" Short Pull Pin
J	1	26-STD-SM128	1/2" Short Pull Pin Without "T" Handle
K	1	26-STD-SM209	Pull Pin To Chain Link Connector
L	1	20-LNK-CONN43	Master Chain Link
M	1	26-STD-SM134	Weight Stack Pin
N	1	10-LRD-12	Weight Pin Coil
P	2	15-RNG-58	5/8" Split Ring
Q	2	26-STD-PLAS125	Easy Glide Seat Sleeve
R	4	11-HEX-123	1/2" x 3" Hex Bolt
S	10	11-HEX-124	1/2" x 4" Hex Bolt
T	32	13-FLT-12	1/2" Flat Washer
U	20	13-FLT-12SAE	1/2" SAE Flat Washer
V	24	12-LOK-12	1/2" Lock Nut
W	4	11-HEX-12234	1/2" x 2 3/4" Hex Bolt
X	2	26-STD-SM239	3/8" x 1 5/8" Flat Head Cap
Y	3	26-STD-SM238	3/8" x 2" Flat Head Cap
Z	4	26-STD-PLAS133	Plastic Range Stop
AA	2	11-HEX-38112	3/8" x 1 1/2" Hex Bolt
AB	16	13-FLT-38	3/8" Flat Washer
AC	1	11-HEX-12434	1/2" x 4 3/4" Hex Bolt
AD	2	11-FLS-381	3/8" x 1" Flathead Bolt
AE	4	11-HEX-381	3/8" x 1" Hex Bolt
AF	1	11-HEX-12112	1/2" x 1 1/2" Hex Bolt

